

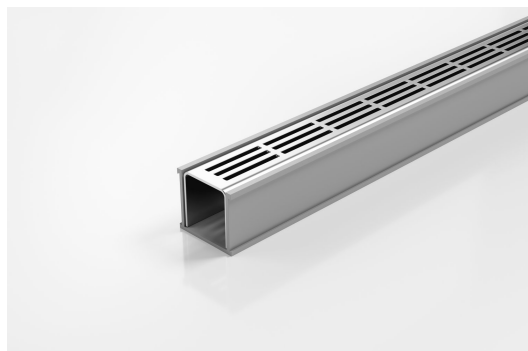


ARCHITECTURAL  
GRATES + DRAINS



# 38PSG40

## Linear Drain



**Stainless steel drainage unit with uPVC Channel and Fittings**

The 38PS40 is a Punched Slot grate design.

Manufactured from 316 marine grade the 38PS is 38mm wide and 40mm deep.

Lengths over 3000mm available on request.

**Refer to AS3500 for outlet pipe sizes specific to your installation.**

**Code** 38PSG40

**Range** 38

**Grate Style** PS

**Category** Modular Kits

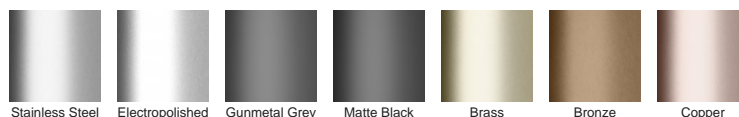
**Channel Material** uPVC

**Steel Grade** 316

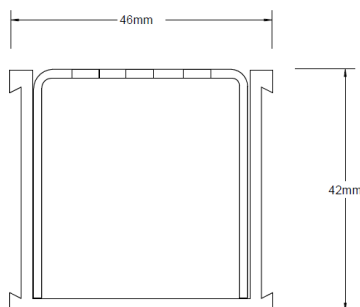
### SPECIFICATIONS + DIMENSIONS

<b>Channel Width</b>	46mm												
<b>Channel Depth</b>	42mm												
<b>Length(s)</b>	900mm	1000mm	1200mm	1500mm	1800mm	1900mm	2000mm	2200mm	2400mm	2700mm	3000mm	2100mm	2500mm
<b>Outlet Size</b>	DN40, DN50												

### STORMTECH COLOUR FINISHES



**Electroplate finishes subject to natural variation with time and local environment. Factors such as pools/surf beaches may require electropolishing. Contact us for suitability.**



Grates longer than 1500mm supplied in sections. Tile Inserts longer than 1200mm supplied in sections. Channels over 3000mm supplied in sections with joiner. +/-2mm tolerance on dimensions.

### PRODUCT APPLICATIONS

- |                             |                            |
|-----------------------------|----------------------------|
| Bathroom Drainage           | Hospitality Drainage       |
| Aged / Health Care Drainage | Paved Area Drainage        |
| Balcony Drainage            | Shower Drainage            |
| Commercial Drainage         | Multi-Residential Drainage |
| Courtyard / Patio Drainage  | Special Needs Drainage     |
| Pool and Spa Area Drainage  | Threshold Drainage         |

Copyright © Stormtech Pty Ltd. Patent 733361. Drawings not to scale, please use dimensions shown. Downloaded 23/06/2026 (please check for updates)



Visit **stormtech.com.au**  
for tools + inspiration.

Phone **1300 653 403**

Email **info@stormtech.com.au**